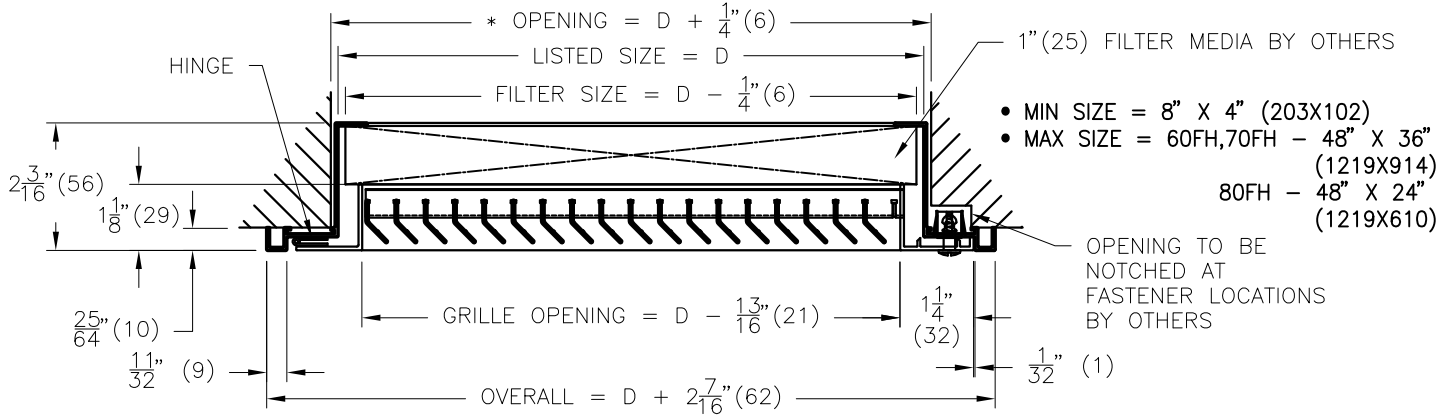
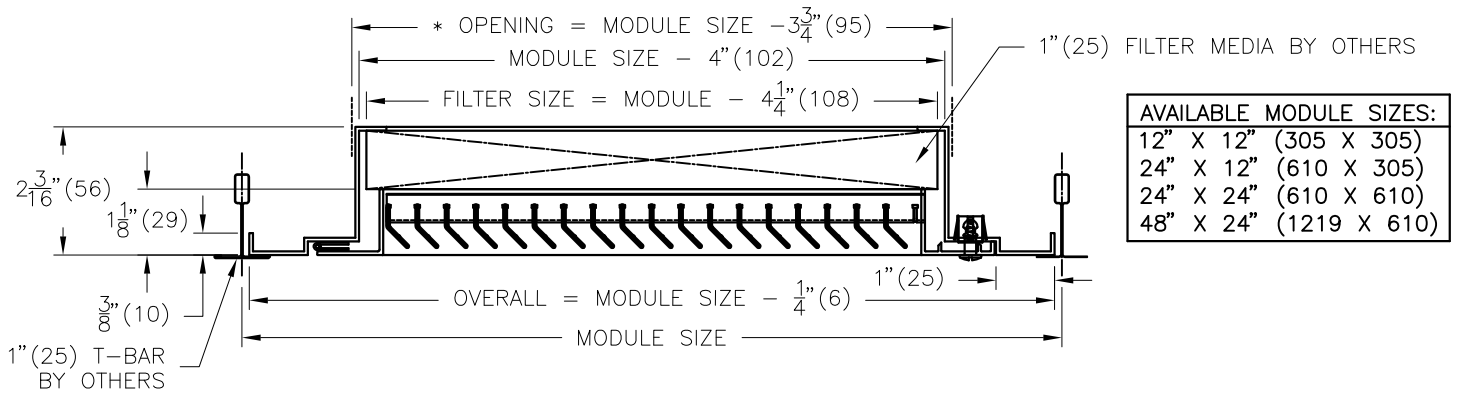


60FH, 70FH, 80FH ALUMINUM FACE FILTER RETURN

□ SURFACE MOUNT (SM)



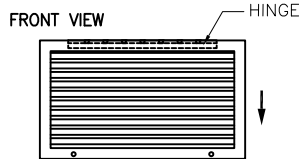
□ T-BAR MOUNT (TB)



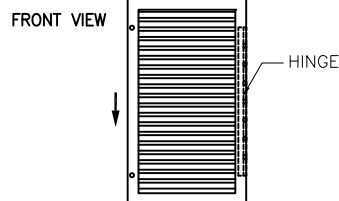
HINGE ORIENTATION

- 80FH - HINGE IS PARALLEL TO LONG DIMENSION (HL)
- 60FH AND 70FH - BLADE DEFLECTION IS SHOWN BY ARROW

□ 60FH/70FH TYPE L

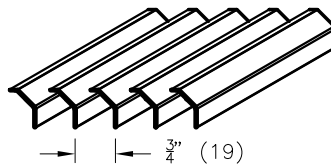


□ 60FH/70FH TYPE S

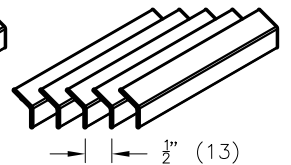


CORE STYLES:

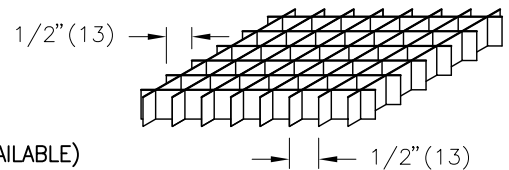
□ 60FH



□ 70FH



□ 80FH



NOTES:

- ACCEPTS STANDARD 1" (25) FILTER MEDIA
- 1/4 TURN QUICK-RELEASE FASTENERS
- CONTINUOUS ALUMINUM HINGE SUPPLIED ON UNITS UP TO 36" X 24" (914X610) DUCT SIZE.
- SIZES LARGER THAN 36" X 24" (914X610) DUCT SIZE WILL BE SUPPLIED WITH QUICK-RELEASE FASTENERS ON BOTH SIDES.
- FILTER MEDIA SUPPLIED BY OTHERS

FINISH:

- B12 WHITE (OPTIONAL FINISHES AVAILABLE)

MATERIAL:

- ALUMINUM CONSTRUCTION

ALL METRIC DIMENSIONS () ARE SOFT CONVERTED. IMPERIAL DIMENSIONS ARE CONVERTED TO METRIC AND ROUNDED TO THE NEAREST MILLIMETER.

PROJECT:		PRICE®	
ENGINEER:		<i>mg</i>	60FH, 70FH, 80FH SERIES ALUMINUM FACE FILTER RETURN
CUSTOMER:		222030	
SUBMITTAL DATE:	SPEC. SYMBOL:	2018/03/20	